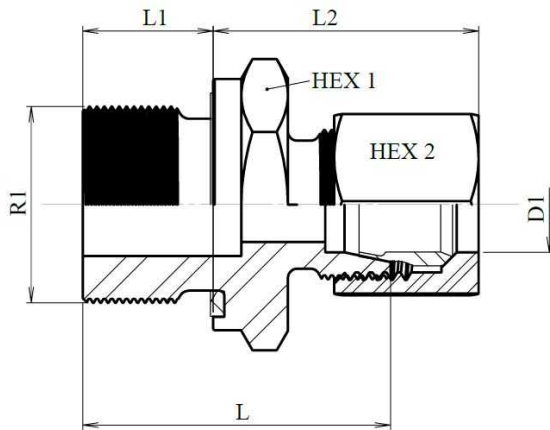


Straight male stud coupling BSP cylindrical with captive seal

Stainless Steel AISI 316-L



Part n°	ØD1	Serie	R1	Working Pressure (bar)	L	L1	L2	HEX 1	HEX 2
Z AL 6 R 1/8WD	6	L	1/8"BSP	315	23,5	8	23,5	14	14
Z AL 6 R 1/4WD	6	L	1/4"BSP	315	29	12	25	19	14
Z AL 6 R 3/8WD	6	L	3/8"BSP	315	29,5	12	25	19	17
Z AL 8 R 1/8WD	8	L	1/8"BSP	315	24,5	8	24,5	14	17
Z AL 8 R 1/4WD	8	L	1/4"BSP	315	29	12	25	19	17
Z AL 8 R 3/8WD	8	L	3/8"BSP	315	30,5	12	26,5	22	17
Z AL 8 R 1/2WD	8	L	1/2"BSP	315	32	14	28	27	19
Z AL 10 R 1/8WD	10	L	1/8"BSP	315	32	14	25	27	17
Z AL 10 R 1/4WD	10	L	1/4"BSP	315	30	12	26	19	19
Z AL 10 R 3/8WD	10	L	3/8"BSP	315	31,5	12	27,5	22	19
Z AL 10 R 1/2WD	10	L	1/2"BSP	315	34	15	28	27	19
Z AL 12 R 1/4WD	12	L	1/4"BSP	315	31	12	27	19	22
Z AL 12 R 3/8WD	12	L	3/8"BSP	315	31,5	12	27,5	22	22
Z AL 12 R 1/2WD	12	L	1/2"BSP	315	34	14	28	27	22
Z AL 15 R 3/8WD	15	L	3/8"BSP	315	32,5	12	28,5	24	27
Z AL 15 R 1/2WD	15	L	1/2"BSP	315	35	14	29	27	27
Z AL 15 R 3/4WD	15	L	3/4"BSP	315	38	14	29	32	32
Z AL 18 R 1/2WD	18	L	1/2"BSP	315	36	14	31	27	32
Z AL 18 R 3/4WD	18	L	3/4"BSP	315	38	16	31	32	32
Z AL 22 R 1/2WD	22	L	1/2"BSP	160	38	17	33	32	36
Z AL 22 R 3/4WD	22	L	3/4"BSP	160	40	16	33	32	36
Z AL 22 R 1WD	22	L	1"BSP	160	43	18	33	41	36
Z AL 28 R 3/4WD	28	L	3/4"BSP	160	41	19	34	41	41
Z AL 28 R 1WD	28	L	1"BSP	160	43	18	34	41	41
Z AL 35 R 1WD	35	L	1"BSP	160	46	18	39	50	50
Z AL 35 R 1 1/4WD	35	L	1"1/4BSP	160	48	20	39	50	50
Z AL 42 R 1 1/2WD	42	L	1"1/2BSP	160	52	22	42	55	60

Straight male stud coupling BSP cylindrical with captive seal

Stainless Steel AISI 316-L

Part n°	ØD1	Serie	R1	Working Pressure (bar)	L	L1	L2	HEX 1	HEX 2
Z AS 6 R 1/4WD	6	S	1/4"BSP	630	32	12	28	19	17
Z AS 8 R 1/4WD	8	S	1/4"BSP	630	34	12	30	19	19
Z AS 8 R 3/8WD	8	S	3/8"BSP	630	34,5	12	30,5	22	19
Z AS 8 R 1/2WD	8	S	1/2"BSP	630	37	14	31	27	19
Z AS 10 R 1/4WD	10	S	1/4"BSP	630	34	12	31	19	22
Z AS 10 R 3/8WD	10	S	3/8"BSP	630	34,5	12	31,5	22	22
Z AS 10 R 1/2WD	10	S	1/2"BSP	630	39	14	34	27	22
Z AS 12 R 1/4WD	12	S	1/4"BSP	630	36	12	33	22	24
Z AS 12 R 3/8WD	12	S	3/8"BSP	630	36,5	12	33,5	22	24
Z AS 12 R 1/2WD	12	S	1/2"BSP	630	39	14	34	27	24
Z AS 14 R 3/8WD	14	S	3/8"BSP	630	39	12	37	27	27
Z AS 14 R 1/2WD	14	S	1/2"BSP	630	41	14	37	27	27
Z AS 16 R 3/8WD	16	S	3/8"BSP	400	38,5	12	36,5	27	30
Z AS 16 R 1/2WD	16	S	1/2"BSP	400	41	14	37	27	30
Z AS 16 R 3/4WD	16	S	3/4"BSP	400	45	16	39	32	30
Z AS 20 R 1/2WD	20	S	1/2"BSP	400	45	14	39	32	32
Z AS 20 R 3/4WD	20	S	3/4"BSP	400	47	16	42	32	36
Z AS 25 R 3/4WD	25	S	3/4" BSP	400	51	16	47	41	46
Z AS 25 R 1WD	25	S	1"BSP	400	53	18	47	41	46
Z AS 25 R 1 1/4WD	25	S	1"1/4BSP	400	55	20	47	50	50
Z AS 30 R 1WD	30	S	1"BSP	400	55	18	47	46	50
Z AS 30 R 1 1/4WD	30	S	1"1/4 BSP	400	57	20	50	50	50
Z AS 30 R 1 1/2WD	30	S	1"1/2BSP	400	62	22	50	55	55
Z AS 38 R 1 1/4WD	38	S	1"1/4BSP	315	62	20	57	55	60
Z AS 38 R 1 1/2WD	38	S	1"1/2BSP	315	64	22	57	55	60

SEAL MATERIAL FKM